

## Type 850/860

# Miniature Air or Water Pressure Regulator

*Low cost, high performance pressure regulation*

The ControlAir Type 850 and Type 860 are compact units that provide low-cost, high performance pressure regulation of compressed air (Type 850 and Type 860) or water (Type 860). Designed specifically for the OEM market, these units are ideal for compressed air or water pressure control applications. The highly sensitive diaphragm-operated design delivers accurate downstream pressure by eliminating the problems caused by sticking in piston designs utilized by competitors. A molded rubber supply valve provides accurate regulation and helps prevent leakage.

The Type 850/860 is recommended for use in any industrial application that requires water or air pressure regulation and low cost. This would include adhesive dispensers, printing presses, medical equipment, spray equipment, analyzers, pumps, compressors and welding machines to name a few.

### Features

- Easy and Accurate Adjustment
- Relieving and Non-relieving Models
- 1/8" and 1/4" NPT Porting
- Compact & Lightweight
- Low Cost



**ControlAir Inc.**

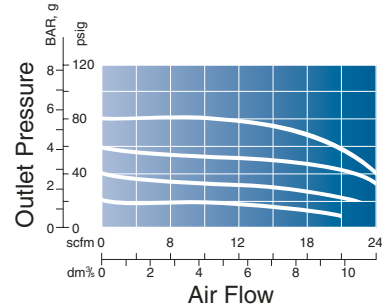
# Type 850/860 Specifications

# Type 850/860 Flow Characteristics

<b>Type</b>	850: Compressed Air	860: Compressed Air or Water
<b>Flow Capacity</b>	24 scfm (48 m3/hr) at 100 psig (6.9 BAR) supply, 60 psig (4.1 BAR) output	
<b>Relief Capacity</b>	(Type 850) 0.5 scfm (.85 m3/hr) Downstream pressure 10 psig (0.7 BAR) above setpoint	
<b>Maximum Supply Pressure</b>	250 psig (17.2 BAR)	
<b>Air Consumption</b>	Less than 6 scfh (0.17 m3/hr)	
<b>Operating Temperature</b>	0°F to 150°F (-18°C to 60°C)	
<b>Porting</b>	Inlet and outlet-1/8" or 1/4" NPT Gauge (2) - 1/8" NPT	
<b>Output Ranges</b>	0-5 psig (0-0.4 BAR) 0-15 psig (0-1.0 BAR) 0-30 psig (0-2.1 BAR)	0-60 psig (0-4.1 BAR) 0-100 psig (0-6.9 BAR)
<b>Materials</b>	Body-zinc, bonnet-acetal, diaphragm/seals-nitrile, internals-aluminum, brass, acetal, steel, music wire (Type 860 is plated with electroless nickel for water use)	
<b>Weight</b>	4.0 oz. (113 g)	

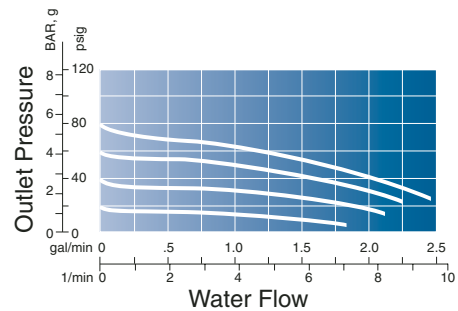
## Type 850

1/4" NPT Port, 0-100 psig Range, 100 psig Supply;  
Flows for Outputs of 20, 40, 60, & 80 psig



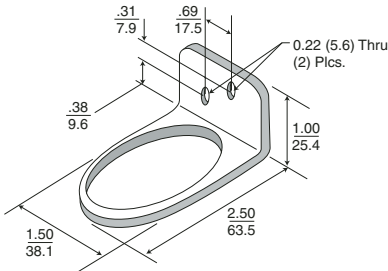
## Type 860

1/4" NPT Port, 0-100 psig Range, 100 psig Supply;  
Flows for Outputs of 20, 40, 60, & 80 psig

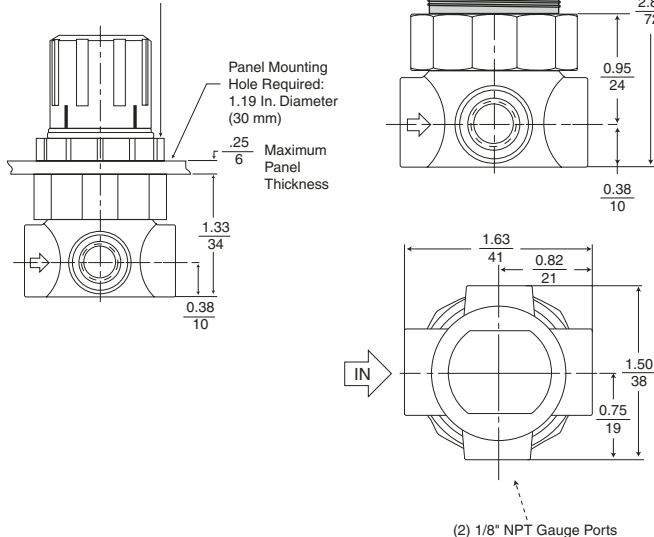


## Dimensional Drawings

### Optional Mounting Bracket P/N 446-707-034



### Optional Panel Nut P/N 442-734-040



## Ordering Information

Use this coding system to order

<b>850</b> or <b>860</b>	□	□	□	<b>Options</b>
<b>Model</b>	□	□	□	
<b>Port Size</b>	A 1/8"	B 1/4"		<b>N Non-Relieving</b> For constant flow or downstream pressure relief applications (Type 860 is Non-Relieving only)
<b>Output</b>	<b>psig</b>	<b>BAR</b>		
<b>E</b>	0-5	0-0.4		
<b>A</b>	0-15	0-1.0		
<b>B</b>	0-30	0-2.1		
<b>C</b>	0-60	0-4.1		
<b>D</b>	0-100	0-6.9		

### Accessories

Mounting Bracket: P/N 446-707-034  
Panel Nut: P/N 442-734-040  
Gauge: 0-15 psi P/N 446-725-005  
Gauge: 0-30 psi P/N 446-725-006  
Gauge: 0-60 psi P/N 446-725-007  
Gauge: 0-160 psi P/N 446-725-008



8 Columbia Drive / Amherst, NH 03031 USA  
Website: www.controlair.com  
Email: sales@controlair.com  
603-886-9400 FAX 603-889-1844

